

# Marvell® MV-Q3244 Automotive 802.3ch compliant 10GBase-T1 PHY

2.5G/5G/10GBase-T1 IEEE 802.3ch compliant Automotive Ethernet PHY

## Overview

The Marvell® MV-Q3244 device is a single-pair Ethernet physical layer transceiver (PHY) that supports operation over shielded twisted pair (STP). The transceiver implements the Ethernet physical layer portion of 2.5G/5G/10GBASE-T1 as defined by the IEEE 802.3ch standard.

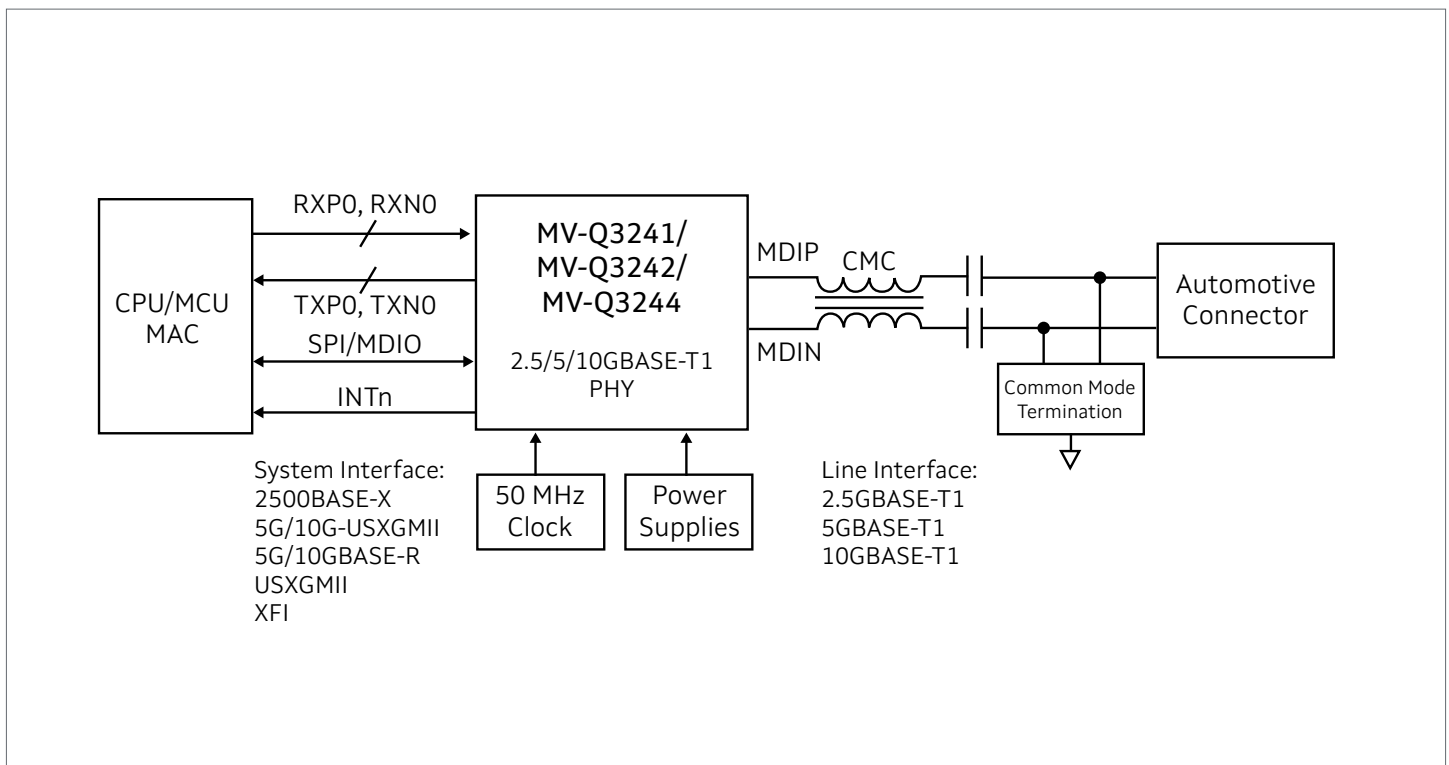
The MV-Q3244 has integrated MACsec that secures against the Layer 2 In-Vehicle Networking security threats. MACsec secures data exchange on a hop-by-hop basis and prevents attacks such as intrusion, man-in-the-middle, and replay attacks.

The MV-Q3244 is manufactured using a standard digital CMOS process and contains all the active circuitry required to implement the physical layer functions to transmit and receive data on a single balanced twisted pair.

The device is designed to directly connect to automotive-grade Graphics Processing Units (GPUs), CPUs, Ethernet switches, and Electronic Control Units (ECUs) via 10G/5G/2.5G USXGMII, 10 Gbps XFI, 5Gbps 5GBASE-R or 2.5 Gbps 2500BASE-X interface to support the operations and network rates required for In-Vehicle Networks (IVN).

The device uses advanced mixed-signal processing to perform equalization, echo cancellation, data recovery, and error correction at full line rate. The device achieves robust performance and exceeds automotive electromagnetic interference (EMI) requirements in noisy environments with very low power dissipation.

## Block Diagram



## Key Features

Features	Benefits
2.5G/5G/10GBASE-T1, IEEE 802.3ch compliant PHY	<ul style="list-style-type: none"><li>• Triple Speed Ethernet PHY supports operation over shielded twisted pair (STP)</li></ul>
Supports IEEE 802.1AE MACsec	<ul style="list-style-type: none"><li>• MACsec provides Layer 2 security</li></ul>
Automotive Qualified	<ul style="list-style-type: none"><li>• AEC-Q100 Automotive Grade 2 (-40 °C to +105 °C)</li></ul>
Automotive Package	<ul style="list-style-type: none"><li>• 7mm x 11 mm, 104-pin, LFBGA package, 0.8 mm ball pitch<ul style="list-style-type: none"><li>- Supports all speeds</li></ul></li><li>• 7.0 mm x 7.0 mm, 48-Pin QFN, 0.5 mm pitch<ul style="list-style-type: none"><li>- Supports 2.5G</li></ul></li></ul>

## Target Applications

- Advance Driver Assistance Systems
- Central Gateway
- Telematics ECU
- Zonal ECU



To deliver the data infrastructure technology that connects the world, we're building solutions on the most powerful foundation: our partnerships with our customers. Trusted by the world's leading technology companies over 25 years, we move, store, process and secure the world's data with semiconductor solutions designed for our customers' current needs and future ambitions. Through a process of deep collaboration and transparency, we're ultimately changing the way tomorrow's enterprise, cloud, automotive, and carrier architectures transform—for the better.

Copyright © 2025 Marvell. All rights reserved. Marvell and the Marvell logo are trademarks of Marvell or its affiliates. Please visit [www.marvell.com](http://www.marvell.com) for a complete list of Marvell trademarks. Other names and brands may be claimed as the property of others.